

KOMA HYDRAULIC QUAD FLOW

EFFICIENTLY CLAMP AND UNCLAMP WORKHOLDING

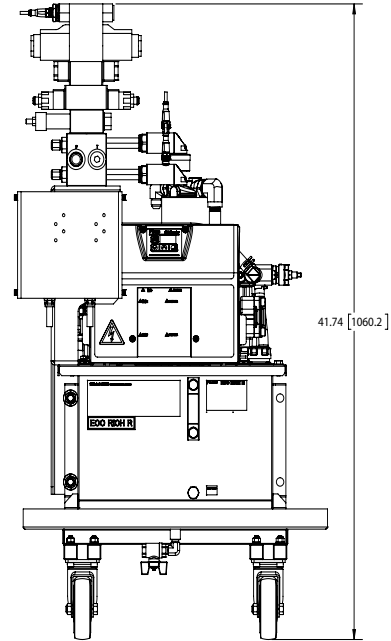
COMPLETE HYDRAULICS SOLUTION



- Clamp and unclamp basic workholding (vises, chucks, etc.)
- Product supported by Koma Precision

HYDRAULIC PUMP DIMENSIONS

Reference Only • Detailed drawings available upon request



HIGH PRODUCTION PUMP SPECS

LIVE HYDRAULIC POWER UNIT	KQF (Koma Quad Flow)
PSI (Pounds per square inch)	1,000
GPM (Gallons per minute)	5 gal
Electricity	30amp/3 phase/220v
Tank Size	5 gal
Valve	4 Double Acting

Other pump configurations available • Specifications subject to change without notice

STANDARD PUMP PACKAGE INCLUDES:

Hydraulic Power Unit
Wiring with Quick Connectors

**CUSTOMER RESPONSIBLE FOR INTEGRATION OF HYDRAULIC PUMP UNIT.
QUOTE FOR KOMA INTEGRATION SERVICES AVAILABLE UPON REQUEST.**

OPTIONS & ACCESSORIES

Additional Accessories Available

**HOSE KIT
UP TO 20'**



**FITTINGS
KIT**



**AIR CHECK
KIT**



**OVERHEAD
ARM ASSEMBLY**



**WHEELED
CART**



**PLC
CONTROLLER**



KP KOMA PRECISION
www.komaprecision.com

www.komaprecision.com • info@komaprecision.com • 1-800-249-5662